

Separett®

Waterless toilets

Model VILLA® 9000



5-years guarantee

The Separett Villa 9000 is supplied with:

- Venting pipe (40cm; 75mm diameter) and vent
- Flashing
- 90° pipe joint
- Cowl
- 3 solid waste/compost containers and 2 lids
- 10 solid waste biodegradable bags
- 2mx32mm diameter urine hose
- Silicone sealant compound
- Mounting screws
- Universal power plug adaptor

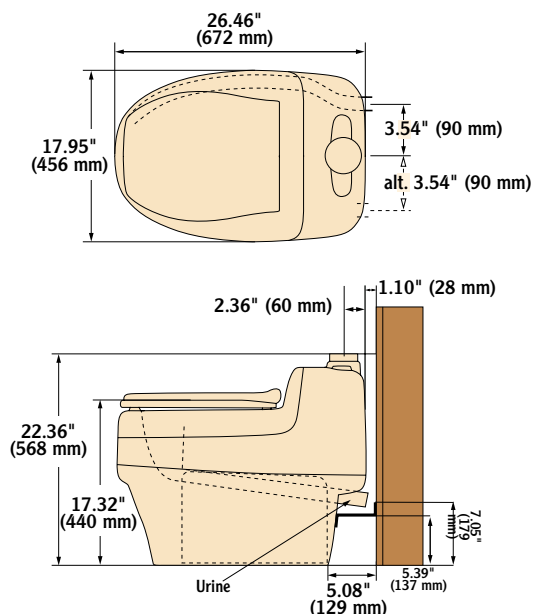
The Villa 9000 sets a new standard for environmentally-friendly personal convenience.

The design, stability, comfort and useability is equal to a modern WC in every way.

The built-in fan expels condensation from the toilet quietly and effectively. The venting duct can be run straight through the wall.

The Villa 9000 can be installed in both warm and cold climates, and will work well, irrespective of room temperature.

Supplied complete ready for installation, including 75mm diameter venting pipe to go through a wall and a 2 meter long, 32mm diameter urine waste hose.



Distributed in **Australia by A Better Way To Go**
 Suite 314, 91 Murphy Street Richmond Victoria 3121.
 T 03 9421 4235 E info@abetterwaytogo.com.au
 www.abetterwaytogo.com.au



When you sit down, the unique pressure seat opens a view guard that otherwise covers the solid waste container. At the same time, the container is rotated so that the contents are evenly distributed. A removable flange between the urine section of the seat and the rear of the seat section, ensures accurate diversion of the urine, and is easily removed for cleaning.

Changing the container:
With the hinged seat section raised and locked in the 'up' position, the lid is placed on the container and lifted out for composting. Solid waste bags are used to simplify cleaning. Additional bags are available online from www.abetterwaytogo.com.au.
2 speed fan (240V DC, 16.5/11).

	Material	Inner container	Voltage/Wattage	Power consumption	Electrical connection	Noise level fan
VILLA 9000	Impact-resistant high-gloss polypropylene, recyclable	23 litres Polypropylene	230V/16.5/11W	0.396/0.276kWh/24 hrs	Cord 1.7 m Earthed plug	41/31dB(A)

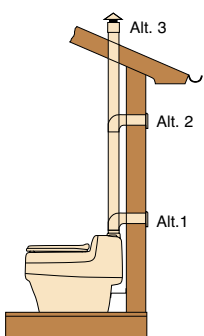
INSTALLATION

There are no temperature range restrictions for rooms where the Villa is to be installed. The toilet will function in both warm and cold locations. It must be possible to route the urine away and mount a venting pipe. Access to 240v is required.

If there is already a venting pipe, the toilet can be connected to this.

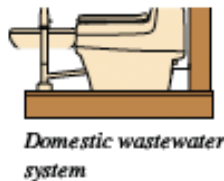
URINE WASTE PIPE

The urine drainage pipe can be led to a domestic waste-water pipe (eg sink or shower), a soak-away or a tank. 2m white hose, 32mm diameter is included.



VENTING

The venting pipe can be routed through a wall or the roof. We recommend a maximum of two 90° pipe joints. (Alt. 1 is included in the delivery.)



EASY HANDLING OF END PRODUCTS

A NATURAL FERTILIZER

The solid waste can easily become an excellent fertiliser. Just lift out the container and place it in a suitable location outdoors. Add some soil and put the lid on with a slight opening to allow the solids to vent. This process inactivates human pathogens so that it can be safely composted or buried, in order to decompose fully. The end product is an organic fertiliser in your flower garden.

ORGANIC PLANT NUTRIENT

The urine, which contains the majority of our useful waste, can easily be spread on the garden, shrubs and flowers. With the Separett Ejektortank you get the optimal mixture of urine and water automatically (8 parts water to 1 part urine) which enables the plants to absorb the nutrients without burning.

